

Model P231  
 24mm Rotary Potentiometer  
 Conductive Plastic Element  
 100,000 Cycle Life  
 Metal shaft / Bushing  
 RoHS Compliant



## MODEL STYLE

Side Adjust , Solder Lugs

P231

## ELECTRICAL<sup>1</sup>

Resistance Range, Ohms	500-1M
Standard Resistance Tolerance	± 20%
Residual Resistance	20 ohms max.
Input Voltage, maximum	500 Vac max.
Power rating, Watts	0.5W- B taper, 0.25W-others
Dielectric Strength	500Vac, 1 minute
Insulation Resistance, Minimum	100M ohms at 250Vdc
Sliding Noise	100mV max.
Actual Electrical Travel, Nominal	260°

## MECHANICAL

Total Mechanical Travel	300°± 10°
Static Stop Strength	70 oz-in
Rotational Torque	0.5 to 1.25 oz-in

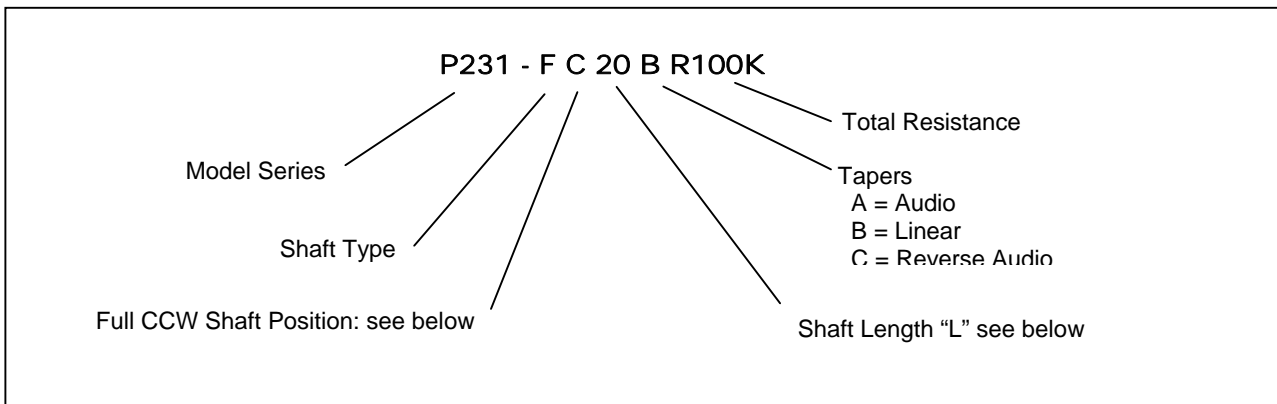
## ENVIRONMENTAL

Operating Temperature Range	-20°C to +70°C
Rotational Life	100,000 cycles

<sup>1</sup> Specifications subject to change without notice.

# Model P231

## ORDERING INFORMATION<sup>2</sup>

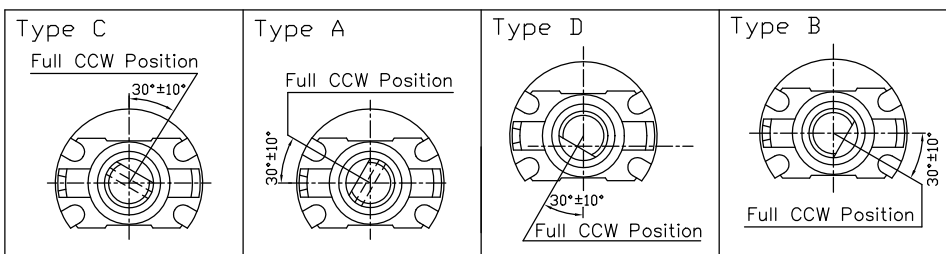


### Shaft Types

E-TYPE						F-TYPE						Q-TYPE					
L	15	20	25	30	35	L	15	20	25	30	35	L	15	20	25	30	35
						T	7	12	12	12	12	T	6	10	12	12	12

### Shaft Position (F-Type Shaft)

Dashed lines on Type "C" and Type "A" shows position of adjustment slot for E-Type and Q-Type shafts



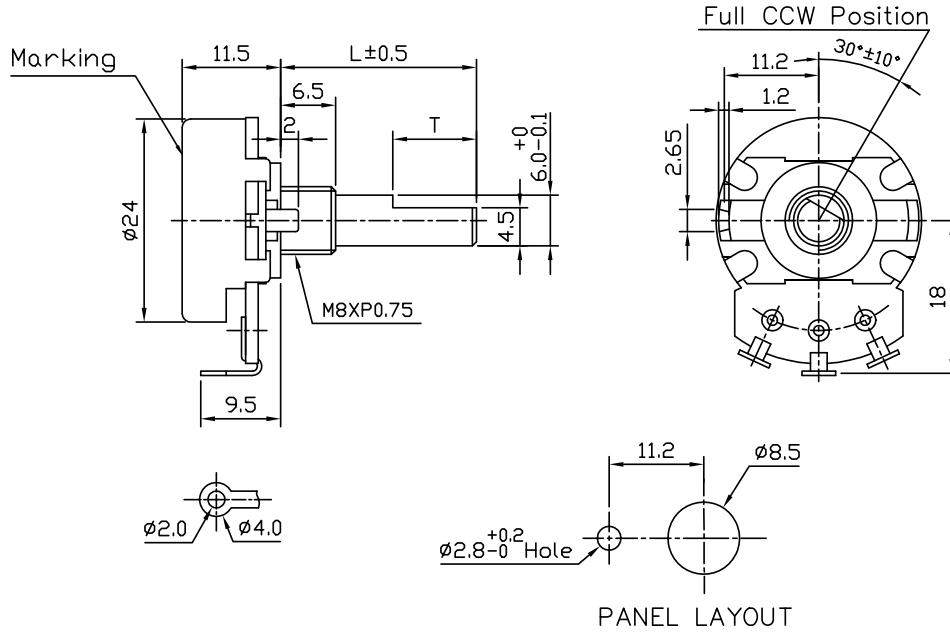
## STANDARD RESISTANCE VALUES, OHMS

500    1K    2K    5K    10K    20K    50K    100K    200K    500K    1MEG

<sup>2</sup> Contact our customer service for custom designs and features.

# Model P231

## OUTLINE DRAWING



## CIRCUIT DIAGRAM

